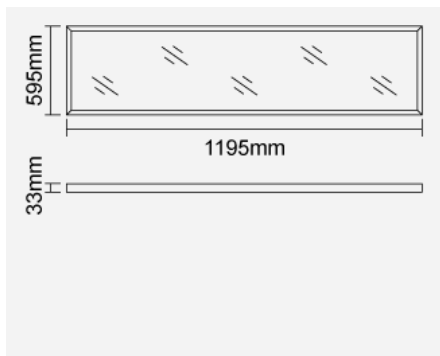


FPL73800v0-ex/ta+LD236046-C1100



Product Code:

FPL73800v0-ex/ta+LD236046-C1100

Electrical Data	
Voltage (V)	220-240V
Frequency (Hz)	50/60
Input Current (mA)	190
Power Factor (λ)	>0.9
Product Data	
Product Wattage (W)	43
Light Source	Integrated LED-6500
Colour Temperature (K)	3000, 4000, 6500
Colour Render Index (Ra)	Ra80
Protection Class	CL II
Colour Consistency (SDCM)	4
Dimmable	no
Operating Temperature	-30°C to +40°C
Ambient Temperature Range (Ta)	40
Switching Cycles (times)	100000
Application	Classrooms, Conference Rooms, Corridors, Offices
Performance Data	
Rated Useful Luminous Flux (lm)	5000
Rated Life (hrs)	50,000hrs L70B50@Ta25°C
IP Rating	IP20/IP40
Product Dimensions	
Length (mm)	1195
Width (mm)	595
Height (mm)	33

Product Code: FPL73800v0-ex/ta+LD236046-C1100

MEGAMAN® 2005-2024. All Rights Reserved.

This document is for informational purpose only.

MEGAMAN® reserves the right to make changes from time to time in the interest of product developments without prior notification to any products herein.

www.hk.megaman.cc