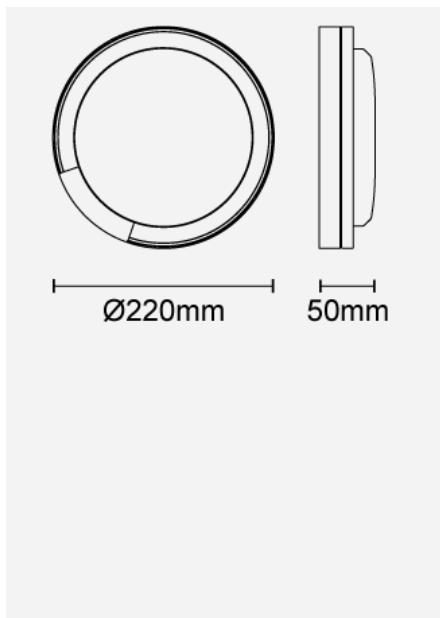


**FBH70600v0**



Product Code:

**FBH70600v0**

Electrical Data	
Voltage (V)	220-240V
Frequency (Hz)	50/60
Input Current (mA)	170
Power Factor (λ)	>0.5
Product Data	
Product Wattage (W)	20
Light Source	Integrated LED-3000
Colour Temperature (K)	3000, 4000, 6500
System Wattage (W)	20
Colour Render Index (Ra)	Ra80
Colour	Black (BK12), Silver (SV12), White (WH12)
Protection Class	CL II
Colour Consistency (SDCM)	
Dimmable	No
Operating Temperature	-30°C to +40°C
Switching Cycles (times)	100,000
Weight (g)	550
Application	Corridors, Patios, Stairwells
Performance Data	
Rated Life (hrs)	25,000hrs L70B50@Ta25°C
IP Rating	IP65/IP65
Product Dimensions	
Length (mm)	265
Width (mm)	136
Height (mm)	46

Product Code: FBH70600v0

MEGAMAN® 2005-2024. All Rights Reserved.

This document is for informational purpose only.

MEGAMAN® reserves the right to make changes from time to time in the interest of product developments without prior notification to any products herein.

[www.hk.megaman.cc](http://www.hk.megaman.cc)