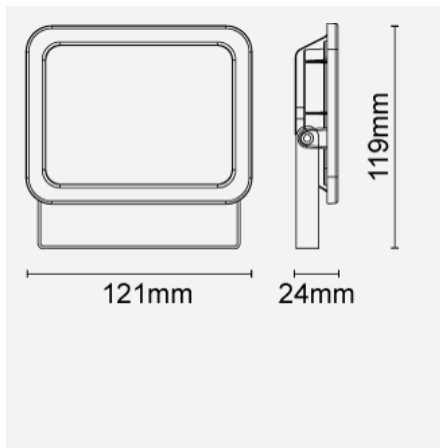


FFL71900v0



Product Code:

FFL71900v0

Electrical Data	
Voltage (V)	220-240V
Frequency (Hz)	50/60
Input Current (mA)	89
Power Factor (λ)	>0.9
Product Data	
Product Wattage (W)	20
Light Source	Integrated LED-3000
Colour Temperature (K)	3000, 4000, 6500
Colour Render Index (Ra)	Ra80
Protection Class	CL I
Colour Consistency (SDCM)	6
Dimmable	no
Operating Temperature	-30°C to +50°C
Ambient Temperature Range (Ta)	50
Switching Cycles (times)	100000
Application	Billboards, Façade, Gate areas, Industrial Areas, Warehouses
Performance Data	
Rated Life (hrs)	30,000hrs L70B50@Ta25°C
IP Rating	IP65/IP65
Product Dimensions	
Length (mm)	119
Width (mm)	121
Height (mm)	24
Remarks: Open wire version	

Product Code: FFL71900v0

MEGAMAN® 2005-2024. All Rights Reserved.

This document is for informational purpose only.

MEGAMAN® reserves the right to make changes from time to time in the interest of product developments without prior notification to any products herein.

www.hk.megaman.cc